

KASUNGU DEMONSTRATION PRIMARY SCHOOL

2022 PRIMARY SCHOOL LEAVING CERTIFICATE MOCK EXAMINATIONS

MATHEMATICS

(100 MARKS)

Section A: (40 marks)

Answer **all** questions in this section.

Use the blank pages at the end of this paper for your rough in this section only.

Encircle the letter **A, B, C** or **D** representing the correct answer.

1. Write six million, eight hundred fifty eight thousand, three hundred and twenty one.

A. 685 800 321 C. 600, 858 321
B. 6, 858 321 D. 6, 850 321

2. Change $\frac{126}{4}$ into a mixed number.

A. $31\frac{1}{3}$ C. $31\frac{1}{2}$
B. $2\frac{1}{31}$ D. $30\frac{1}{2}$

3. Find the HCF of 24, 120 and 144.

A. 12 C. 24
B. 60 D. 72

4. What is the discount of an item marked at K40, 500 and sold at K35, 500?

A. K80, 000 C. K4, 500
B. K5, 500 D. K5, 000

5. Mr. Makala will celebrate his silver jubilee in the next 7 years. How old is Mr. Makala?

A. 32 years C. 43 years
B. 18 years D. 53 years

6. George sold two bales of sugar for K38, 500. If each bale was bought at K16, 200, what was the profit made?

A. K22, 300 C. K44, 600
B. K54, 700 D. K6, 100

Table 1 shows temperature readings for four districts. Use it to answer questions 7 and 8.

District	Temperature (°C)
Karonga	35.6
Kasungu	15
Chikwawa	37.4
Dedza	13

7. Which of the districts has the coldest temperature?

A. Kasungu C. Dedza
B. Karonga D. Chikwawa

8. Calculate the average temperature of the districts.

A. 35.6 °C C. 25.10 °C
B. 25.25 °C D. 15.4 °C

9. Calculate simple interest on K6,000 for 4 months at 10% per annum.

A. K240 C. K2 400
B. K200 D. K600

10. The height of a drawing of a building is 4cm. If a scale of 1cm to represent 400cm was used, what is the height of the building?

A. 1 600cm C. 403cm
B. 100cm D. 397cm

11. If $x = 3$, insert the correct inequality in

$$5 - x \quad \square \quad 1 + x.$$

- A. $>$ C. $=$
 B. $<$ D. \leq

12. Find the number of decades from 1985 to 2005. (If 1 decade = 10 years).

- A. 25 C. 20
 B. 4 D. 2

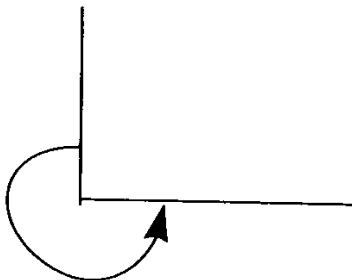
13. What does 'Dr' stand for in cash and bank accounts transactions?

- A. Doctor C. Debit
 B. Credit D. Draft

14. How much would you pay for sending a message by telegram within Malawi with a total of 32 words? Given the rate of K4 per word in Malawi and K10 per word in South Africa.

- A. K8.00 C. K46.00
 B. K128.00 D. K320.00

15. What type of turns is shown in **figure 1** below?



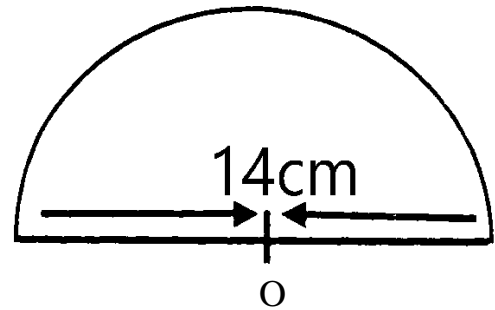
- A. Reflex angle
 B. Quarter turn
 C. Three-quarter turn
 D. A half turn

16. Find the mode of the following numbers:

1, 2, 2, 3, 3, 2, 0, 5, 4, 4, 0.

- A. 2.3 C. 5
 B. 2 D. 0.1

17. **Figure 2** shows a semi-circle with centre O and diameter 14cm.



Calculate the circumference of the circle. (Take $\pi = \frac{22}{7}$)

- A. 22cm C. 154cm
 B. 44cm D. 616cm

18. A man bought a television set for K235 000 including Value Added Tax (VAT). If the VAT was charge at the rate of 17.5%, what was the VAT?

- A. K193 875 C. K216 125
 B. K41 125 D. K276 125

19. Allan and Mary shared 120 sweets in the ratio of 2:3 respectively. What was the share of the least?

- A. 40 C. 72
 B. 48 D. 24

20. The salary of Watumbikike's mother is K14 200 per month. If she receives K13 000 per month after deducting income tax, what is her income tax per year?

- A. K1 200 C. K14, 400
 B. K27 200 D. K1 250

Section B: (60 marks)

Answer **all** questions in this section. Write your answers in the spaces provided under each question. Show your working.

- 21.(a) Felix and Margret shared 50kg of sugar. Felix took 3kg for every 2kg Margret took. How much did each receive?

(4 marks)

- (b) A bakery sold 950 loaves of bread at K110.00 each. If a loss of K5.00 was made on each loaf of bread, what was the cost price?

(4 marks)

- 22.(a) Add 681.96 to the product of 12.8 and 7.5 and correct your answer to **one** decimal place

(4 marks)

(b) The first three numbers in a number pattern are 64, 32, 16. Find the fourth number.

(3 marks)

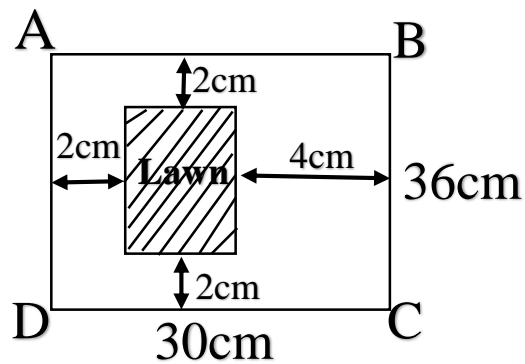
23.(a) Using a ruler and a protractor, construct a triangle PQR with $PQ = PR = 6\text{cm}$ and angle $QPR = 55^\circ$.

(4 marks)

- (b) Catherine is y years old. If Rose is 2 years older than Catherine and the sum of their ages is 30. How old is Catherine?

(6 marks)

- 24.(a) Figure 3 shows a rectangular field ABCD with a lawn in it.



Calculate the area of the lawn.

(4 marks)

(b) Yohane Banda would like to withdraw K5 700 from his savings account number 014795300. Use the withdraw form provided to fill the details given.

Standard Bank Withdrawal receipt

Branch where account held _____ Savings account SaverPlus account Investment account Pure Save Transact Plus

Name (block letters) _____ Date _____

Postal address _____ Account number _____

Postal code _____

Identity/Passport number _____

Amount MWK _____

Tellers date stamp _____ Received from **Standard Bank**

For bank use only

Savings account new balance _____

Identity verified _____

Balance compared _____ Checked by _____

Signature verified _____ Checked by _____

ATM card number _____

Signature _____

Mat 13/015285 1995/08

a cash withdrawal form

(4 marks)

25.(a) Solve $4t - 5r + t + 10r$.

(2 marks)

(b) **Table 2** shows bank exchange rate.

Currency	Buying (K)	Selling (K)
US Dollar (\$)	140.00	142.00
SA Rand (R)	18.80	19.00
Euro (<i>E</i>)	223.47	232.40

An American traveler gave $\frac{1}{4}$ of \$680 to Tawina, a Malawian as her school up keep.

What is the kwacha value of the remaining Dollars?

(6 marks)

26.(a) In a sale, the price of a radio was reduced from K12 000 to K11 400. What was the discount percent?

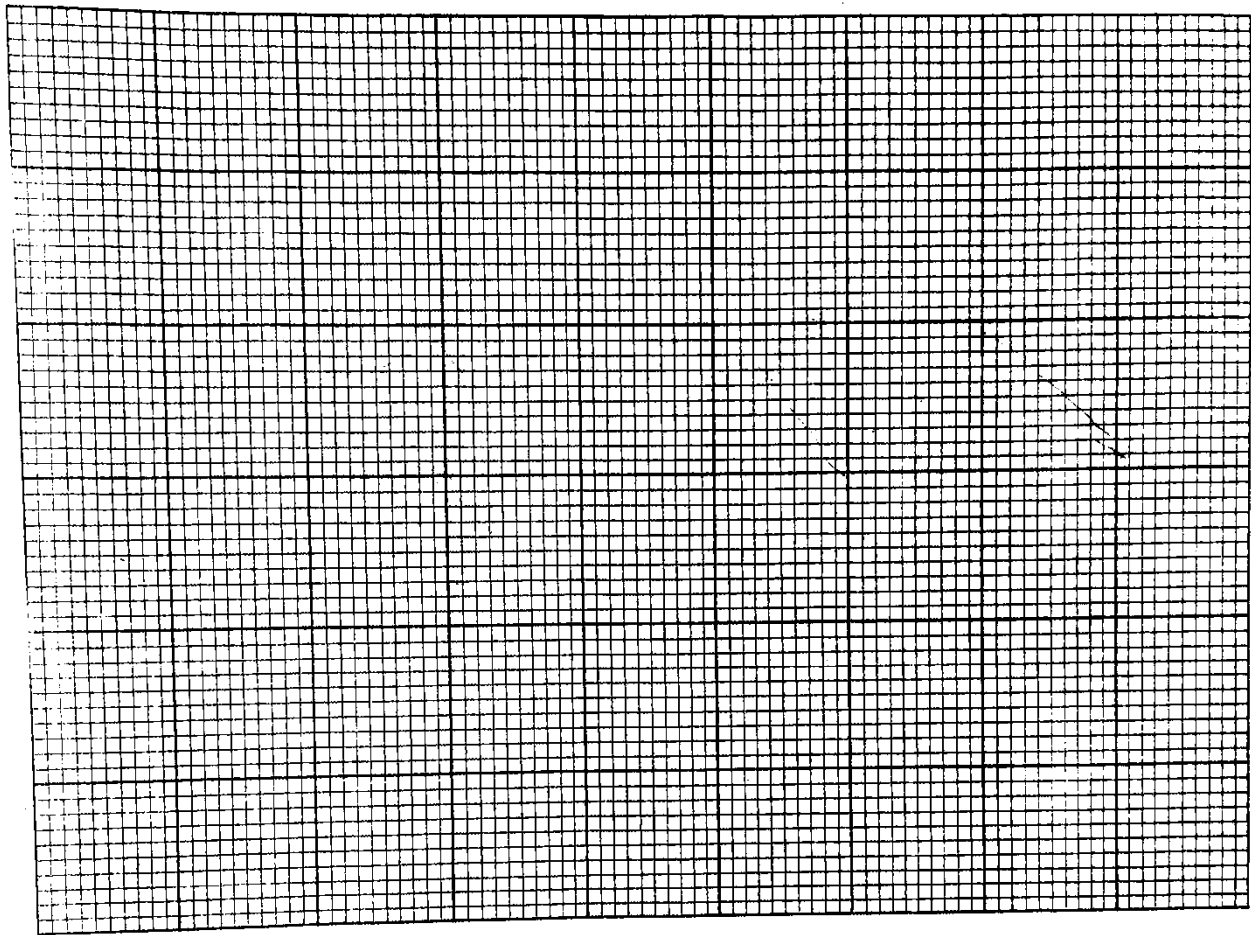
(4 marks)

(b) **Table 3** shows number of days and an amount of rainfall in the month of April:

Days	Monday	Tuesday	Wednesday	Friday
Amount of rainfall	55	60	15	35

Using the information in the table above, draw a line graph on the graph paper provided.
Use a scale of 1 : 10cm.

(5 marks)



27.(a) Convert 28.85l into cm^3 .

(3 marks)

(b) A business person had K20,000 cash in hand on 1st December, 2007. He also made some transactions as follows:

2 December banked.....	K12 000.00
17 December paid wages.....	K6 000.00
29 December withdrew.....	K3 000.00

Use this information to enter in a cash book.

(6 marks)

END OF QUESTION PAPER!!!

NB: This paper contains 10 pages.